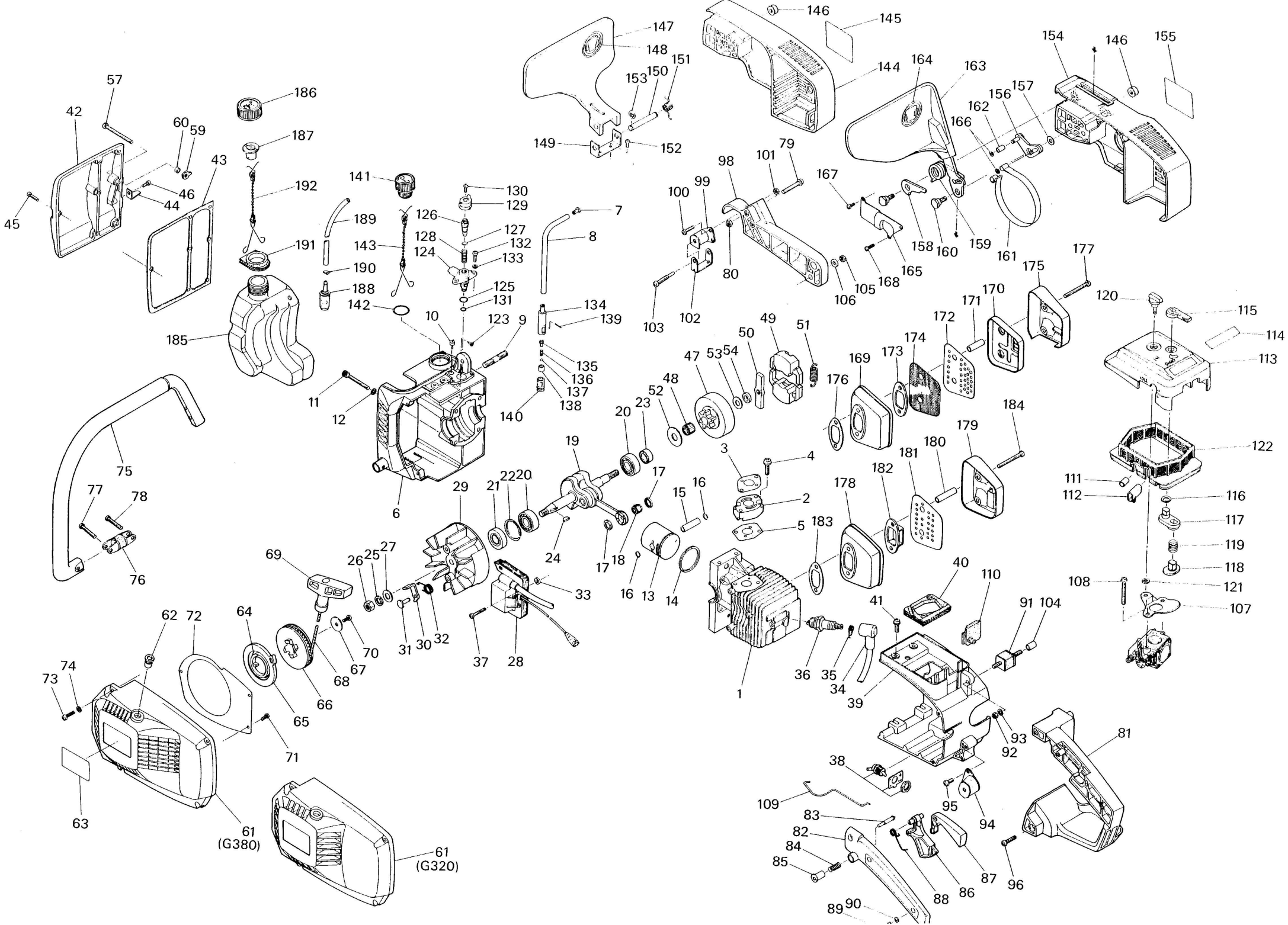


**KOMATSU
ZENOAH****SERVICE PARTS LIST**

CHAIN SAW**MODELS: G320AV
G320AVS
G380AV
G380AVS****KOMATSU ZENOAH CO.**

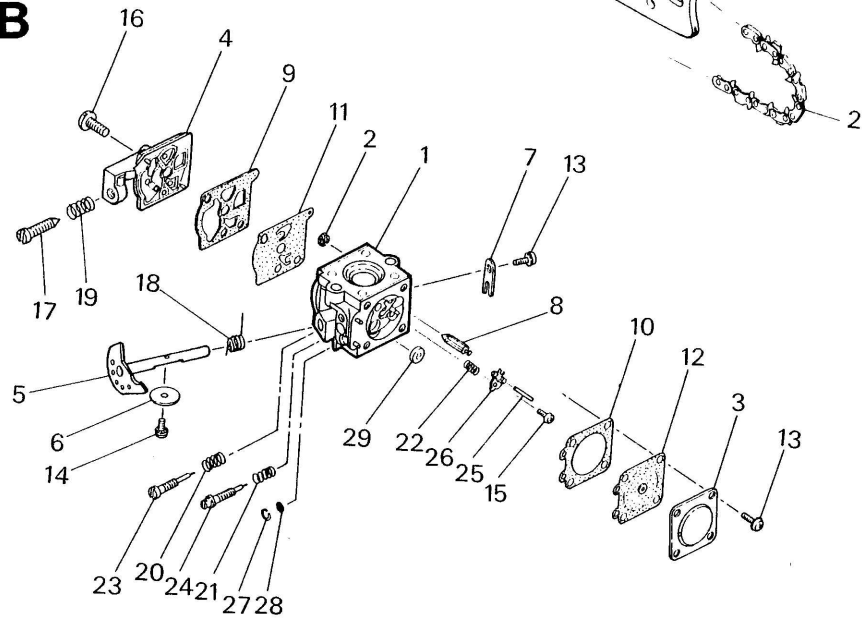
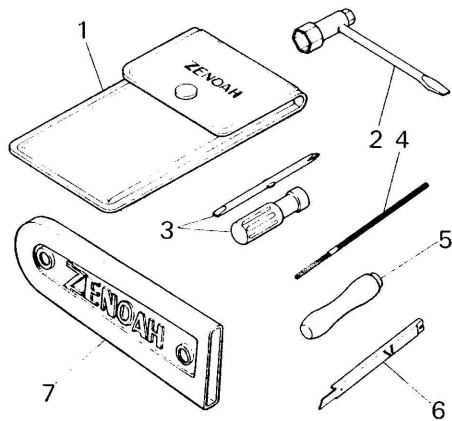
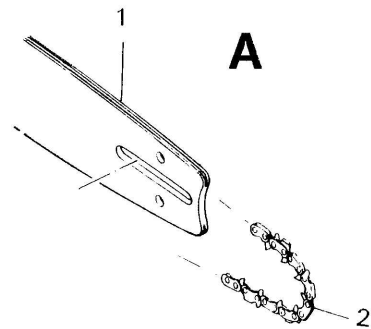
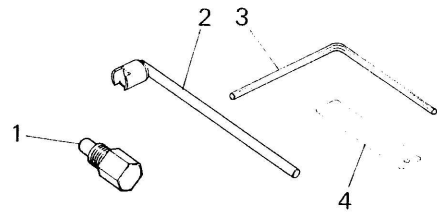
EFFECTIVE JUNE 1990



Key No.	Parts Number		Description	Q'ty	Remarks
	G320AV, AVS	G380AV, AVS			
1-1	3330-12114	3340-12114	CYLINDER	1	
2	3330-14111		INSULATOR	1	
3	3330-14120		GASKET	1	
4	0260-20520		SCREW	2	
5	3330-14131		GASKET	1	
6	3332-21105	3342-21100	CRANKCASE COMP	1	
7			- CRANKCASE	1	3332-21105
8	3330-21123		- PIN, oil outlet	1	3342-21100
9	3330-21131		- PIPE, oil	1	
10	0250-50825		- STUD	2	
11	01252-30540		- BREATHER, oil tank	4	3332-21105 3342-21100
12	0292-20510		BOLT	4	
13	0292-20510		WASHER	4	
14	3330-41111	3340-41112	PISTON	1	
15	1030-41220	3340-41211	RING, piston	1	
16	3330-41310	3304-41310	PIN, piston	1	
17	3310-41320		RING, snap	2	
18	3330-41332	1650-41510	WASHER, thrust	2	
19	3310-41410		BEARING, needle	1	
20	3330-42003	3340-42000	CRANKSHAFT COMP	1	
21	06030-06201		BEARING, ball	2	
22	1650-21220		SEAL, oil	1	
23	04065-03212		RING, snap	1	
24	1100-21210		SEAL, oil	1	
25	1260-43240		KEY	1	
26	3310-43210		WASHER, spring	1	
27	3310-43220		NUT	1	
28	01641-20812		WASHER	1	
29	3330-71003		MAGNETO ASSY	1	
30	3330-71111		- MODULE	1	
31	3330-71203		- ROTOR COMP	1	
32			- ROTOR	1	3330-71203
33	3330-71221		- PAWL	2	
34	3330-71230		- PIN	2	
35	1260-71240		- SPRING	2	
36	1260-71260		SPACER, module	3	
37	1400-72111		CAP, spark plug	1	
38	1400-72121		SPRING, spark plug	1	
39	3330-71410		PLUG, spark	1	
40	0260-30425		SCREW	3	
41	3330-31400		SWITCH ASSY	1	
42	3332-31112		COVER, engine	1	
43	3330-31120		SEAL	1	
44	0260-20514		SCREW	4	
45	3332-29110		COVER, crankcase	1	
46	3330-29210		GASKET	1	
47	3330-29310		CATCHER, chain	1	
48	0261-00416		SCREW	7	
49	0261-00510		SCREW	1	
50	3330-51110		DRUM, clutch	1	3 8", 6T
51	3343-51110		DRUM, clutch	1	OP. 0.325", 7T
52	3310-51310		BEARING, needle	1	
53	3330-51200		CLUTCH ASSY	1	
54	3330-51210		- SHOE, clutch	2	
55	3330-51220		- BOSS, clutch	1	
56	3330-51230		- SPRING, clutch	2	
57	3330-51310		WASHER, thrust (A)	1	
58	3330-51320		WASHER, thrust (B)	1	
59	3330-51410		SPACER, clutch	1	
60	0260-30425		SCREW, chain tensioning	1	
61	3330-53611		TENSIONER, chain	1	
62	3330-53710		PIPE	1	
63	3332-75005	3342-75005	STARTER, recoil ASSY	1	
64	3332-75104	3342-75104	- CASE, recoil COMP	1	
65			- CASE, recoil	1	3332-75104 3342-75104
66	3330-75121		- GUIDE, rope	1	
67	3332-75131	3342-75131	- LABEL	1	
68	3330-75201		- HOLDER, spring COMP	1	
69			- SPRING, rewind	1	3330-75201
70			- HOLDER, spring	1	3330-75201
71	3330-75311		- REEL, recoil COMP	1	
72	3330-75411		- WASHER	1	

Key No.	Parts Number		Description	Q'ty	Remarks
	G320AV, AVS	G380AV, AVS			
68	1260-75151		- ROPE	1	
69	3330-75420		- KNOB	1	
70	1490-32120		- SCREW	1	
71	0277-10408		- SCREW	3	
72	3340-75510		- BAFFLE	1	
73	0261-00416		SCREW	4	
74	0292-20408		WASHER	4	
75	3330-32102		HANDLE, left SUB ASSY	1	
76	3330-32112		- HANDLE, left	1	
77	3330-32122		- JOINT (A)	1	
78	0277-10525		- SCREW	1	
79	0261-00525		SCREW	1	
80	0260-20530		SCREW	2	
81	0282-10503		NUT	2	
82	3330-33111		HANDLE, right	1	
83	3330-33201		COVER, handle COMP	1	
84			- COVER, handle	1	3330-33201
85			- STOPPER	1	3330-33201
86	3343-33311		- SPRING	1	3330-33201
87	3330-33320		- KNOB	1	
88	3330-33330		LEVER, throttle	1	
89	0277-10416		ARM, safety lock	1	
90	0292-20408		SPRING	1	
91	3330-33411		SCREW	3	
92	0282-10503		WASHER	3	
93	0292-20510		JOINT (B)	1	
94	3330-33511		NUT	1	
95	0261-00510		WASHER	1	
96	2640-33530		JOINT (C)	2	
97	3330-35111		SCREW	4	
98	3330-35211		BOLT	1	
99	3330-35211		BRACKET	1	
100	0260-00416		JOINT (D)	1	
101	0282-10402		SCREW	2	
102	3330-35310		NUT	2	
103	3330-33530		STOPPER	1	
104	3330-33450		BOLT	1	
105	3310-53331		PIPE	1	
106	1040-24330		NUT (B)	1	
107	3370-82130		SPACER	1	
108	0260-10540		BRACKET	1	
109	3330-82213		SCREW	2	
110	3345-82311		ROD, throttle	1	
111	3330-82411		GROMMET	1	
112	3330-82511		GROMMET (A)	1	
113	3330-83006		GROMMET (B)	1	
114	3330-83103		COVER ASSY	1	
115	3330-83130		- COVER COMP	1	
116			- COVER	1	3330-83103
117			- PLATE	1	3330-83103
118			- LEVER, choke	1	3330-83103
119			- WASHER, wave	1	3330-83103
120			- ARM	1	3330-83103
121			- PLATE, choke	1	3330-83103
122			- SPRING	1	3330-83103
123	3370-83510		- KNOB	1	3330-83103
124	3330-23121		- RING	1	3330-83103
125	3330-23102		- ELEMENT	1	
126			VALVE	1	
127			ADJUSTER ASSY	1	
128			- BODY	1	3330-23102
129			- O-RING	1	3330-23102
130			- NEEDLE	1	3330-23102
131			- O-RING	1	3330-23102
132			- SPRING	1	3330-23102
133			- CAP	1	3330-23102
134			- SCREW	1	3330-23102
135			- O-RING	1	
136			SCREW	2	
137			WASHER	2	
138			WEIGHT ASSY	1	
139			- BODY	1	3330-24103

Key No.	Parts Number		Description	Q'ty	Remarks
	G320AV, AVS	G380AV, AVS			
135			- GUIDE	1	3330-24103
136			- SPRING	1	3330-24103
137			- BALL	1	3330-24103
138			- SEAT	3	3330-24103
139			- PIN	1	3330-24103
140	3330-24172		- FILTER	1	
141	3330-27102		CAP, oil ASSY	1	for AV MODEL
142			- CAP, oil	1	3330-27102
143	07000-02020		- O-RING	1	
144	3334-27001		CAP, oil ASSY	1	for AVS MODEL
145	3330-27102		- CAP ASSY	1	
146	3334-27200		- CHAIN ASSY	1	
147	3332-53101	3342-53101	COVER COMP	1	for AV MODEL
148			- COVER	1	3332-53101 3342-53101
149	3332-53121	3342-53121	- LABEL	1	
150	3317-53211		NUT, bar clamp	2	
151	3332-95500		GUARD COMP	1	for AV MODEL
152			- GUARD, front hand	1	3332-95500
153	3356-31160		- LABEL	1	
154	3330-95521		BRACKET	1	
155	3330-95531		PIN	1	
156	3330-95540		SPRING	1	
157	0260-00408		SCREW	2	
158	0308-00060		RING, snap	2	
159	3334-54004	3344-54004	CHAIN BRAKE ASSY	1	for AVS MODEL
160	3334-54102	3344-54102	- COVER COMP	1	for AVS MODEL
161			- COVER	1	3335-54102 3344-54102
162	3334-54121	3344-54121	- LABEL	1	
163	3330-96210		- ARM (A)	1	
164	3310-71150		- WASHER	1	
165	3330-96222		- ARM (B)	1	
166	3330-96231		- SPRING	1	
167	3330-96240		- BOLT	2	
168	3330-96251		- BAND	1	
169	3330-96260		- ROLLER	1	
170	3334-54300		- GUARD COMP	1	
171			- GUARD	1	3334-54300
172	3356-31160		- LABEL	1	
173	3330-96410		- PLATE	1	
174	0308-00030		- RING, snap	2	
175	0261-00416		- SCREW	1	
176	0261-00408		- SCREW	2	
177	3330-15000		MUFFLER ASSY	1	for AV MODEL
178	3330-15110		- BASE	1	
179	3330-15121		- COVER(A)	1	
180	3330-15130		- SPACER	2	
181	3334-15140		- BAFFLE	1	
182	3334-15150		- PLATE	1	
183	3304-15210		- GASKET	1	
184	3334-15220		- BOLT	2	
185	3330-86004		TANK, fuel ASSY	1	for AV MODEL
186			- TANK, fuel	1	3330-86004
187	3330-86202		- CAP, fuel ASSY	1	
188			- CAP, fuel	1	3330-86202
189	3330-86222		- VALVE	1	
190	1260-85400		- FILTER COMP	1	
191	3330-86411		- PIPE, fuel	1	
192	1260-85460		- CLIP	1	
193	3330-86510		- SUPPORT	1	
194	3334-86001		TANK, fuel ASSY	1	for AVS MODEL
195	3330-86004		- TANK, fuel ASSY	1	
196	3334-86600		- CHAIN ASSY	1	

B**C****D**

Key No.	Prt's Number		Description	Q'ty	Remarks
	G320AV, AVS	G380AV, AVS			
A-1	3607-52110		BAR 14 (for 91SG)	1	Sprocket Nose
	3602-52110		BAR 14 (for 91SG)	1	OP Hard Nose
	3606-52111		BAR 12 (for 91SG)	1	OP Sprocket Nose
	--	3608-52110	BAR 16 (for 91SG)	1	OP Sprocket Nose
	--	3612-52110	BAR 16 (for 21BP)	1	Sprocket Nose
	--	3314-97120	BAR 16 (for 91SG)	1	OP Hard Nose
	--	3611-52110	BAR 14 (for 21BP)	1	OP Sprocket Nose
	--	3607-52110	BAR 14 (for 91SG)	1	OP Sprocket Nose
	--	3602-52110	BAR 14 (for 91SG)	1	OP Hard Nose
	--	3610-52110	BAR 12 (for 21BP)	1	OP Sprocket Nose
2	3602-52210		CHAIN, for 14" bar	1	Oregon 91SG-52E
	3600-52210		CHAIN, for 12" bar	1	OP 91SG-46E
	--	3604-52210	CHAIN, for 16" bar	1	Oregon 91SG-57E
	--	3612-52210	CHAIN, for 16" bar	1	OP 21BP-66E
	--	3611-52210	CHAIN, for 14" bar	1	OP 21BP-60E
	--	3602-52210	CHAIN, for 14" bar	1	OP 91SG-52E
	--	3610-52210	CHAIN, for 12" bar	1	OP 21BP-54E
B-1	3330-81002	3340-81002	CARBURETOR ASSY	1	
			· BODY ASSY	1	3330-81002 3340-81002
2	3306-81380		· SCREEN, inlet	1	
3	3310-81280		· COVER, metering diaphragm	1	
4	3330-81120		· COVER, pump	1	
5	3330-81370		· SHAFT, throttle ASSY	1	
6	1282-81340		· VALVE, throttle	1	
7	3310-81390		· CLIP, throttle shaft	1	
8	3310-81311		· VALVE, inlet	1	
9	3330-00601		· GASKET DIAPHRAGM KIT	1	
9	3304-81140		· GASKET, pump	1	
10	3310-81290		· GASKET, metering diaphragm	1	
11	3304-81150		· DIAPHRAGM, pump	1	
12	3310-81260		· DIAPHRAGM ASSY	1	
13	3310-81351		· SCREW ASSY	5	
14	3310-81360		· SCREW, shutter	1	
15	3310-81240		· SCREW, metering lever pin	1	
16	3310-81130		· SCREW, pump cover	1	
17	1145-81540		· SCREW, idle adj.	1	
18	3310-81411		· SPRING, throttle return	1	
19	1282-81460		· SPRING, idle adj.	1	
20	3310-81320		· SPRING, high needle adj.	1	
21	3310-81160		· SPRING, low needle	1	
22	1262-81270		· SPRING, metering lever	1	
23	3330-81330		· NEEDLE, high speed	1	
24	3378-81170		· NEEDLE, low speed	1	
25	3310-81250		· PIN, metering lever	1	
26	3310-81230		· LEVER, metering	1	
27	3304-81440		· RING, screen retaining	1	
28	1282-81560		· SCREEN, check valve	1	
29	3304-81420		· PLUG, welck	1	
	3332-91000	3343-91000	TOOL SET.	1	
C-1	1820-91111		· BAG	1	
2	3317-91130		· WRENCH, combination	1	
3	1030-91340		· DRIVER	1	
4	3381-91510	3320-97310	· FILE, round	1	
5	3381-91530		· GRIP	1	
6	3310-91540		· GAUGE, chain setting	1	
7	3310-97112	3314-97111	PROTECTOR	1	
D-1	3320-96410		STOPPER, piston	1	OP
2	3330-97110		WRENCH, clutch	1	OP
3	3330-97210		WRENCH, crankcase	1	OP
4	3330-97310		GAUGE, air gap	1	OP